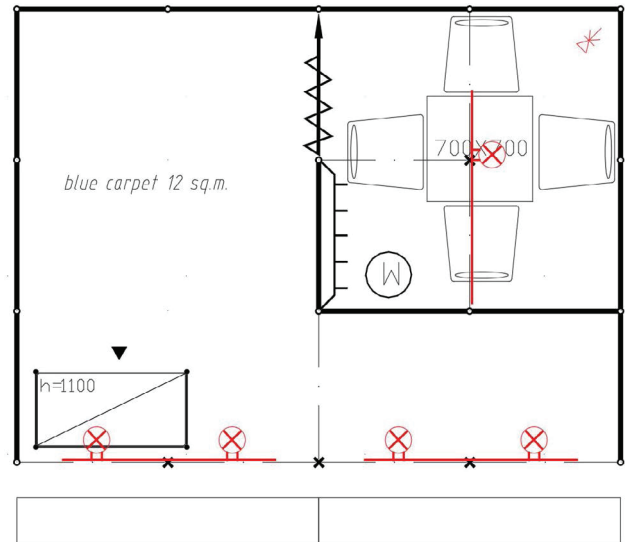


## STANDARD STANDS

### Standard equipment for stand of 12-17 m<sup>2</sup>

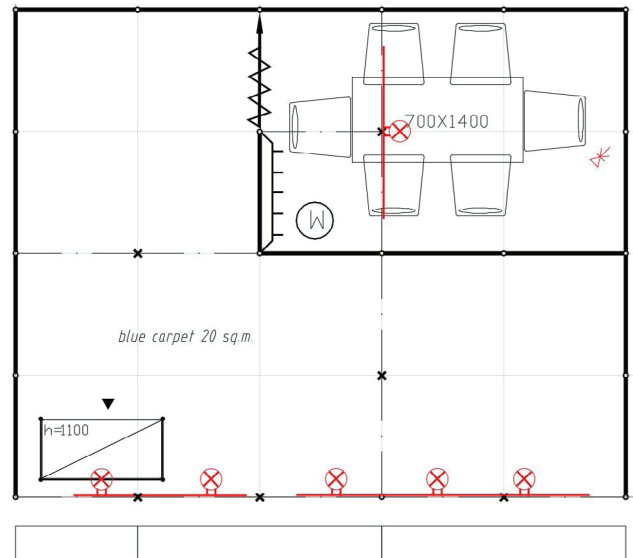
- 10 kW power supply
- carpet grey color
- white wall panels (pos. 028-030)
- fascia board with company name (order form D) [full company name, blue color]
- storage room with a sliding door (pos. 039)
- 5 spotlights (pos. 063)
- 1 socket 220V (power – 1kW) (pos. 066)
- 1 info desk 500x1000x1100mm, without doors (pos. 020)
- 1 table 700x700mm (pos. 002)
- 4 chairs (pos. 005)
- 1 coat racket (pos. 010)
- 1 trash can (pos. 013)



12 m<sup>2</sup>

### Standard equipment for stand of 18-24 m<sup>2</sup>

- 10 kW power supply
- carpet grey color
- white wall panels (pos. 028-030)
- fascia board with company name (order form D) [full company name, blue color]
- storage room with a sliding door (pos. 039)
- 6 spotlights (pos. 063)
- 1 socket 220V (power – 1kW) (pos. 066)
- 1 info desk 500x1000x1100mm, without doors (pos. 020)
- 1 table 700x1400mm (pos. 002)
- 6 chairs (pos. 005)
- 1 coat racket (pos. 010)
- 1 trash can (pos. 013)



20 m<sup>2</sup>